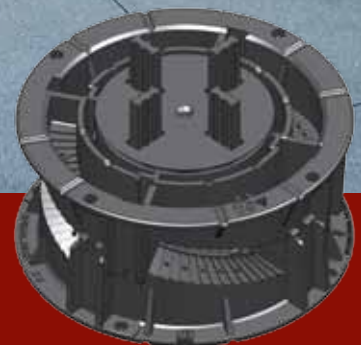




Creating Cities
Where Urban Meets Nature

SpiraPave®

Paver & Bearer Support



Engineered in Australia

Our Innovation Your Solution

SpiraPave® pedestals are engineered to provide a versatile and cost-effective solution to support raised pavers and timber decking in an eco-friendly way. It provides a cavity for services to be concealed, improves heat and sound insulation and facilitates rapid surface drainage whilst allowing waterproofing and services to remain accessible.



043-002



SpiraPave®

SpiraPave® pedestal is based on a unique 'step' design for supporting raised pavers and timber decking. It creates a cavity to conceal services, improves heat and sound insulation, facilitates rapid surface drainage and allows easy access to waterproofing and services. It also reduces efflorescence and algae growth and reduces paving installation costs.

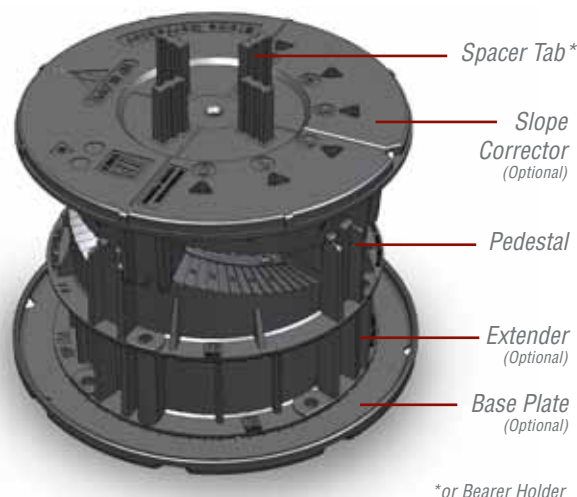
About SpiraPave®

SpiraPave® is a height and slope-adjustable pedestal engineered to support pavers and decking to reduce material, construction and lifecycle costs.

Height range of SpiraPave® is **12mm to 74mm**, in 1mm increments. Additional height of 45mm is obtained with the use of a SP-45E extender.

SpiraPave® is used in areas such as balconies, swimming pool surrounds and courtyards.

Accessories include top/bottom slope-correctors, spacer tabs, height extender, base plate and bearer holders.



Advantages

- Low minimum height of 12mm
- Precise 1mm height adjustment
- Top and/or bottom slope correctors

- Easy to install, cost effective and lightweight
- Made from 100% recycled materials
- Supports Green Building certification



SpiraPave® providing support for pavers

Construction Benefits

Low minimum height is ideal for installations where other height-adjustable pedestals are generally too high to be used.

Eliminates need for bedding sand or cement screed, reducing the load burden on building structures. It also reduces installation time and costs.

Joint sealants and/or grouting is rendered unnecessary and expansion and contraction of pavers do not result in unsightly cracks.

SpiraPave® may be used with VersiPave® or VersiJack® pedestals, as an accessory for additional height adjustments.



SpiraPave® providing support for timber decking

High Compressive Strength

SpiraPave® with Extenders up to 119mm has a compressive strength of **≥ 20kN**.

Supports Green Building Certification

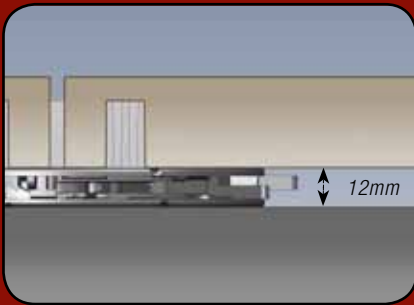
SpiraPave® is manufactured from recycled materials which meet European Union RoHS requirements.

“Engineered to reduce material, construction and lifecycle costs.”

Distinctive Features

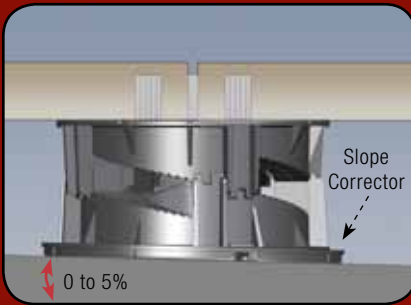
Minimum Height

12mm minimum height with 1mm stepped increments.



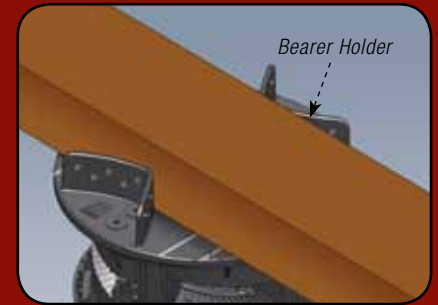
Slope Corrector

Used at top or bottom of pedestal for slope compensation of up to 5%.



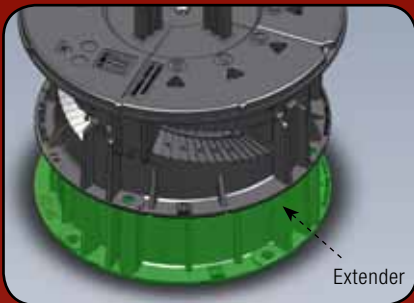
Bearer Holder

Suitable for widths 35mm to 80mm to keep bearer firmly in place.



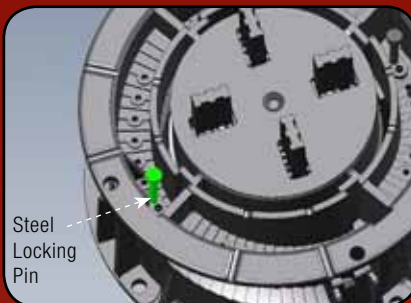
Extended Height

Additional 45mm height possible with use of SP-45E extender.



Stability

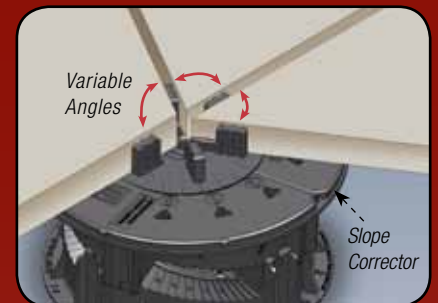
Desired height is secured with Steel Locking Pin.



NEW

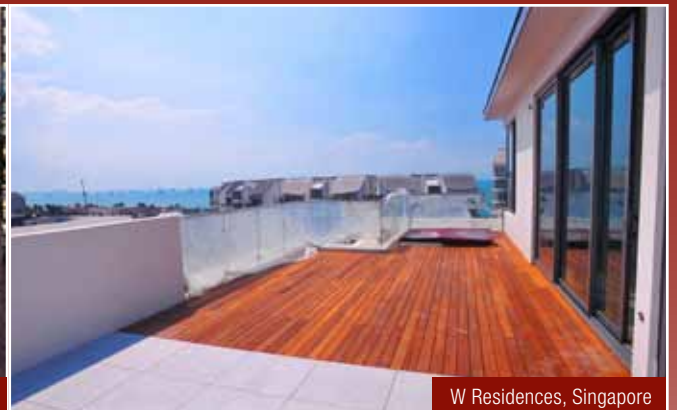
Variable Angle Spacer Tab

Variable Angle Spacer Tabs allow pedestals to support up to 8 pavers with different corner angles.



SpiraPave® has international design registrations and patents pending.

Projects

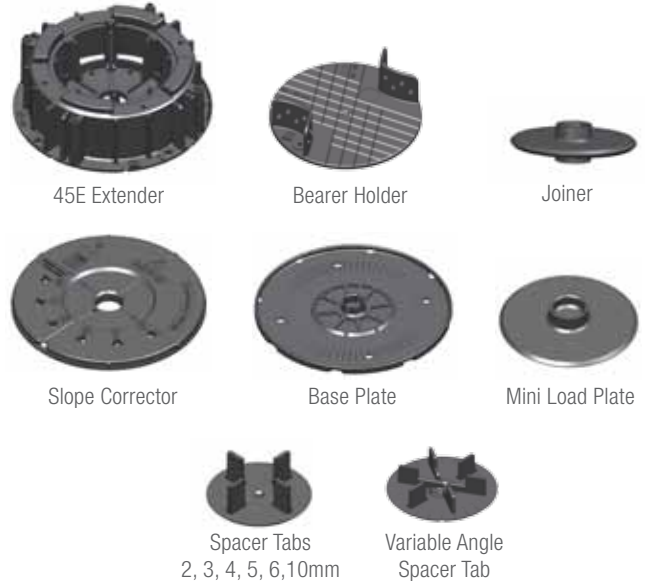


Technical Specifications

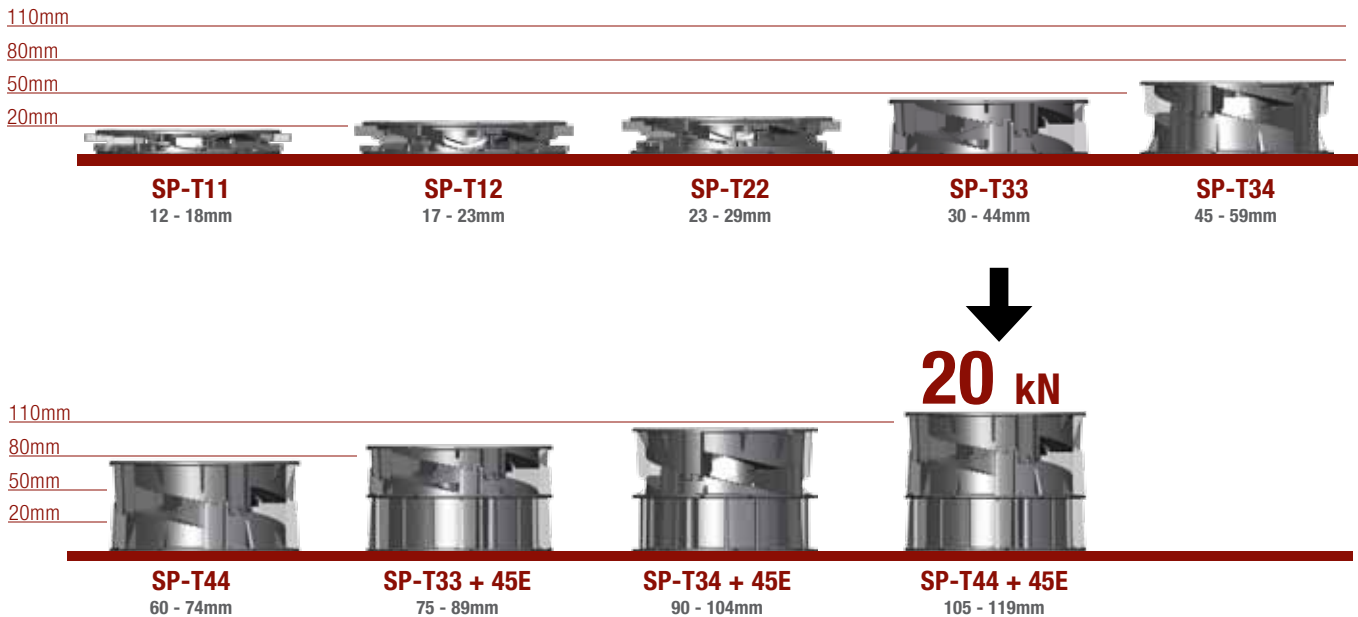
Material	Recycled Polypropylene
Height Range ¹	12mm to 119mm
Ultimate Compressive Strength ¹	20kN
Base Diameter	154mm 172mm (with Slope Corrector)
Spacer Tab Height	15 / 25mm
Spacer Tab Thickness	2 / 3 / 4 / 5 / 6 / 10mm (gap between pavers)
Marginal Adjustments	1mm
Bearer Holder	35mm to 80mm (bearer width)
Biological / Chemical Resistance	Unaffected by moulds and algae Good resistance to alkali and bitumen

¹ varies with different combinations

Accessories



SpiraPave® Height Chart



Tileworks.

Distributed by: 0800 688 788 | tileworks.co.nz

Note: The information provided in this brochure is based on current knowledge and experience and does not infer any legally binding assurance or warranty, expressed or implied. Intending purchasers should verify whether any changes to specifications or applications or otherwise have been made since the issue of this literature. Environmentally-friendly recycled materials are used in product manufacture wherever possible. Physical product properties including colour may differ due to source of raw materials used. Colour may also fade due to UV exposure. All components of the product are designed for specific application, design calculations and any variation and/or deviation therefrom shall be the responsibility of the specifier and/or user.



ELMICH PTE LTD www.elmich.com

Singapore: (+65) 6356 2800

info@elmich.com

Singapore | Seattle | Sydney | Zurich | Guangzhou | Shanghai

