

VersiJack[®]

Paver & Bearer Support



Creating Cities
Where Urban Meets Nature



Engineered in Australia

Our Innovation Your Solution

VersiJack[®] is a new generation pedestal engineered to provide a versatile and sustainable solution to support raised pavers and timber decking. It provides a cavity to conceal services, improves heat and sound insulation, and facilitates rapid surface drainage whilst allowing waterproofing and services to remain accessible.



VersiJack®

VersiJack® is a new generation pedestal engineered to provide a versatile and sustainable solution to support raised pavers and timber decking. It provides a cavity to conceal services, improves heat and sound insulation, and facilitates rapid surface drainage whilst allowing waterproofing and services to remain accessible. It also eliminates efflorescence and algae growth and reduces paver installation cost.

About VersiJack®

VersiJack® is a height and slope adjustable pedestal for paver and decking support engineered to reduce material, construction and lifecycle costs.

It caters to a wide range of height requirements, from **37mm - 1016mm**, using only three main components parts (Top, Extender and Base).

Accessories include top and bottom slope-correctors, spacer tabs, height extenders and bearer holders.

High Compressive Strength

VersiJack® has high ultimate compressive strength for various height combinations.

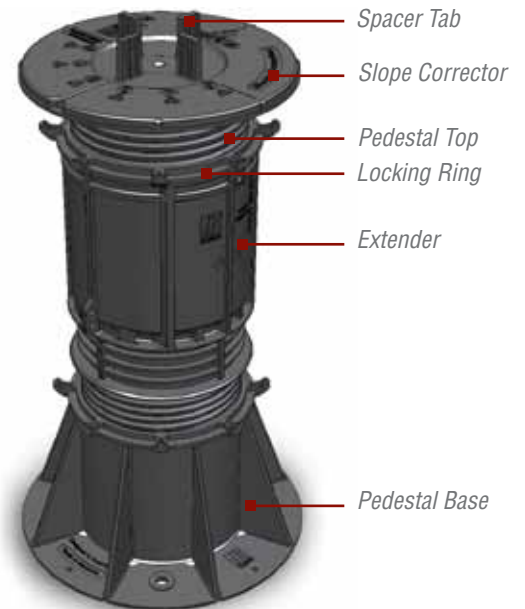
Supports Green Building Certification

VersiJack® is manufactured from recycled plastics which meet European Union RoHS requirements.

Advantages

- Easy to install and lightweight
- Progressive height increments
- Top and/or bottom slope correction

- Supports Green Building certification
- Made from recycled plastics
- Easily removed and reused



VersiJack® provides stable support for installation of decking

Construction Benefits

VersiJack® provides a quick to install alternative to on-site fabricated concrete or metal piers.

It allows convenient progressive height adjustments and correction for fall. Desired height is secured with integrated Locking Rings.

The large flat base and rounded edges do not penetrate and compromise waterproofing membranes. The base flange design prevents water ponding and breeding of pests.

Unique VersiJack® Turning Tool connected to a power drill permits height adjustments to be made with minimum effort.



VersiJack® allows easy accessibility to services when required

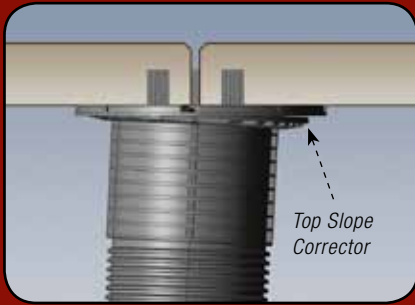


Turning Tool greatly reduces the time needed for height adjustments

Distinctive Features

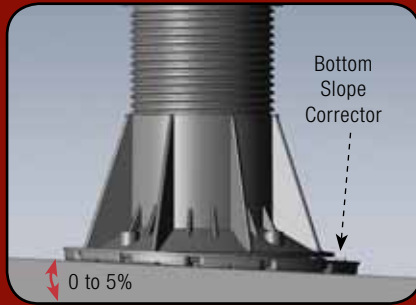
Top Slope Corrector

Top Slope Correctors provide for slope compensation up to 5%, keeping pavers level on a sloping surface.



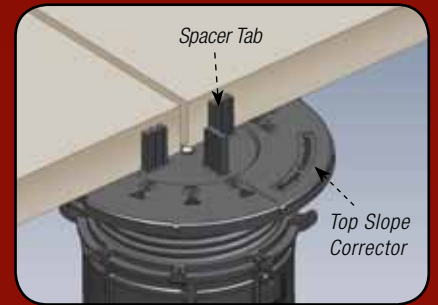
Bottom Slope Corrector

Bottom Slope Correctors allow pedestals to remain firmly upright on incline of up to 5%.



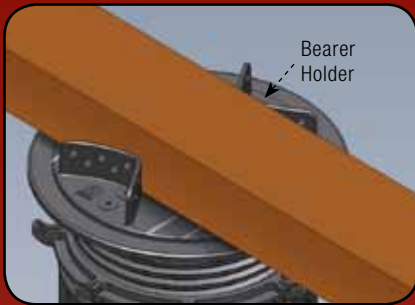
Spacer Tab

Spacer Tabs with thickness from 2mm to 10mm cater for different gap sizes between pavers.



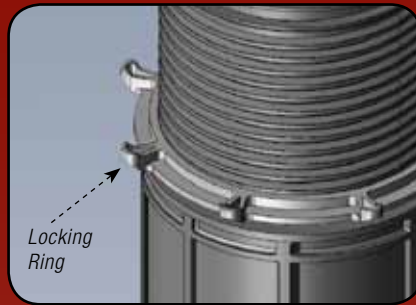
Bearer Holder

Bearer Holders accommodate bearer width from 35mm to 80mm to keep bearers firmly in place on pedestals.



Locking Ring

Locking Rings ensure pedestals are secured at desired heights and are easily removed when not required.



NEW

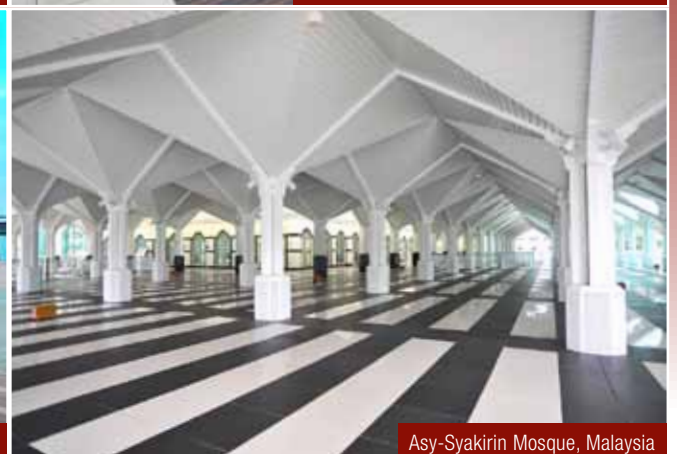
Variable Angle Spacer Tab

Variable Angle Spacer Tabs allow pedestals to support up to 8 pavers with different corner angles.



VersiJack® has international design registrations and patents pending.

Projects



Technical Specifications

Material	Recycled Polypropylene
Height Range	37mm to 1016mm
Ultimate Compressive Strength ¹	15kN
Design Compressive Strength ¹	11kN
Slope correction	0% to 5% @ 1% increment
Base Diameter	189mm (VJ-37FB, VJ-50FB, VJ-74FB) 202mm (VJ-117FB) 226mm (VJ-117B with bottom slope corrector)
Spacer Tab Height	15 / 25mm
Spacer Tab Thickness	2 / 3 / 4 / 5 / 6 / 10mm (gap between pavers)
Bearer Holder	35mm to 80mm (bearer width)
Biological / Chemical	Unaffected by moulds and algae
Resistance	Good resistance to alkali and bitumen

¹ varies with different height

Accessories



VJ-117B with Bottom Slope Corrector



Top Slope Corrector



Bearer Holder

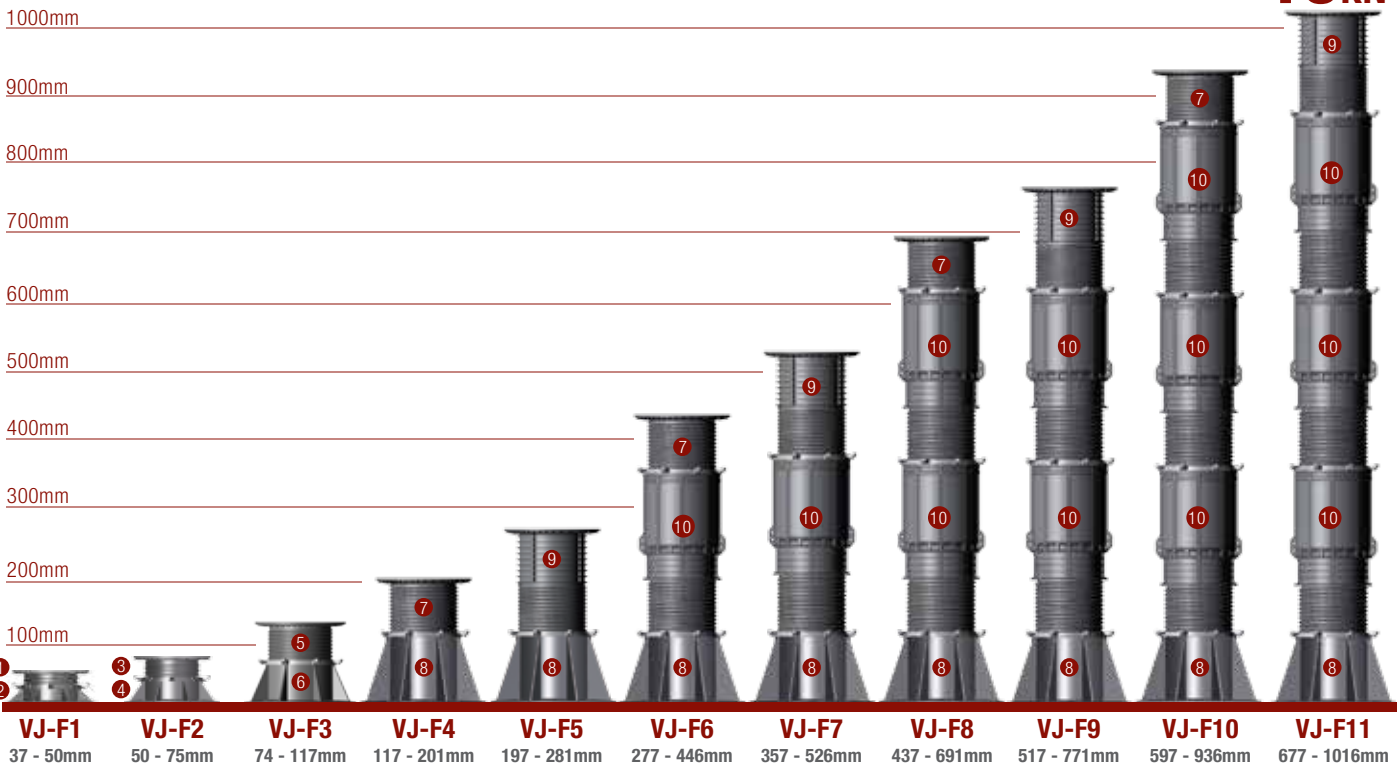


Spacer Tabs
2, 3, 4, 5, 6, 10mm



Variable Angle
Spacer Tab

VersiJack® Height Chart



With Bottom Slope Corrector*

- 1 VJ-13T 5 VJ-43T 9 VJ-164T
- 2 VJ-37FB 6 VJ-74FB 10 VJ-245E
- 3 VJ-25T 7 VJ-84T
- 4 VJ-50FB 8 VJ-117FB

Model	Height Range
VJ-S0	125 - 209mm
VJ-S1	205 - 289mm
VJ-S2	285 - 454mm
VJ-S3	365 - 534mm
VJ-S4	445 - 699mm
VJ-S5	525 - 779mm
VJ-S6	605 - 944mm
VJ-S7	685 - 1024mm

* Note: Requires VJ-117B instead of VJ-117FB

Tileworks.

Distributed by:

0800 888 788 | tileworks.co.nz

Note: The information provided in this brochure is based on current knowledge and experience and does not infer any legally binding assurance or warranty, expressed or implied. Intending purchasers should verify whether any changes to specifications or applications or otherwise have been made since the issue of this literature. Environmentally-friendly recycled materials are used in product manufacture wherever possible. Physical product properties including colour may differ due to source of raw materials used. Colour may also fade due to UV exposure. All components of the product are designed for specific application, design calculations and any variation and/or deviation therefrom shall be the responsibility of the specifier and/or user.



ELMICH PTE LTD www.elmich.com

Singapore: (+65) 6356 2800

info@elmich.com

Singapore | Australia | China | Germany | Switzerland | United States



Strategic Partner



© Elmich Pte Ltd VJ/001-V2-0715SG